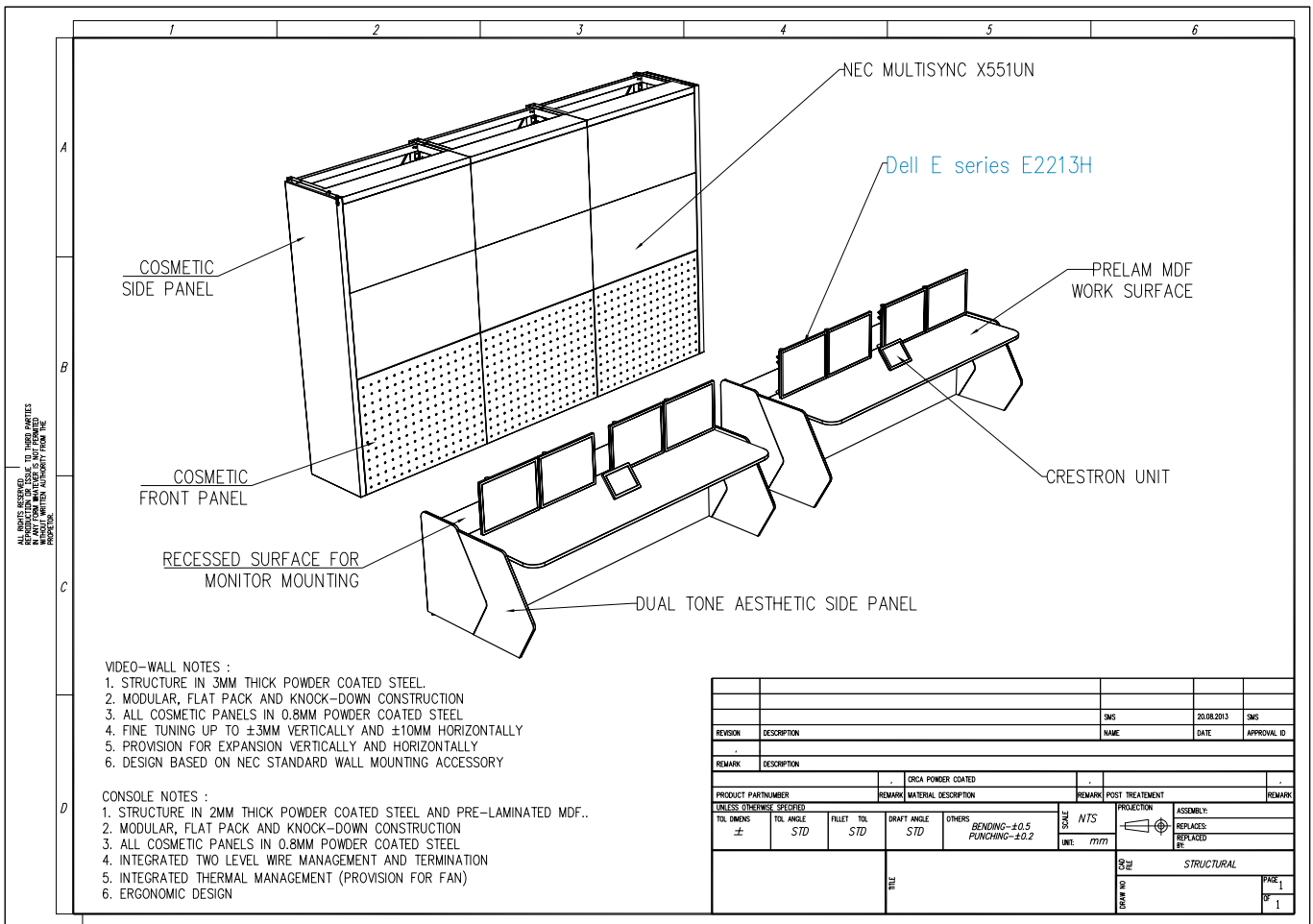
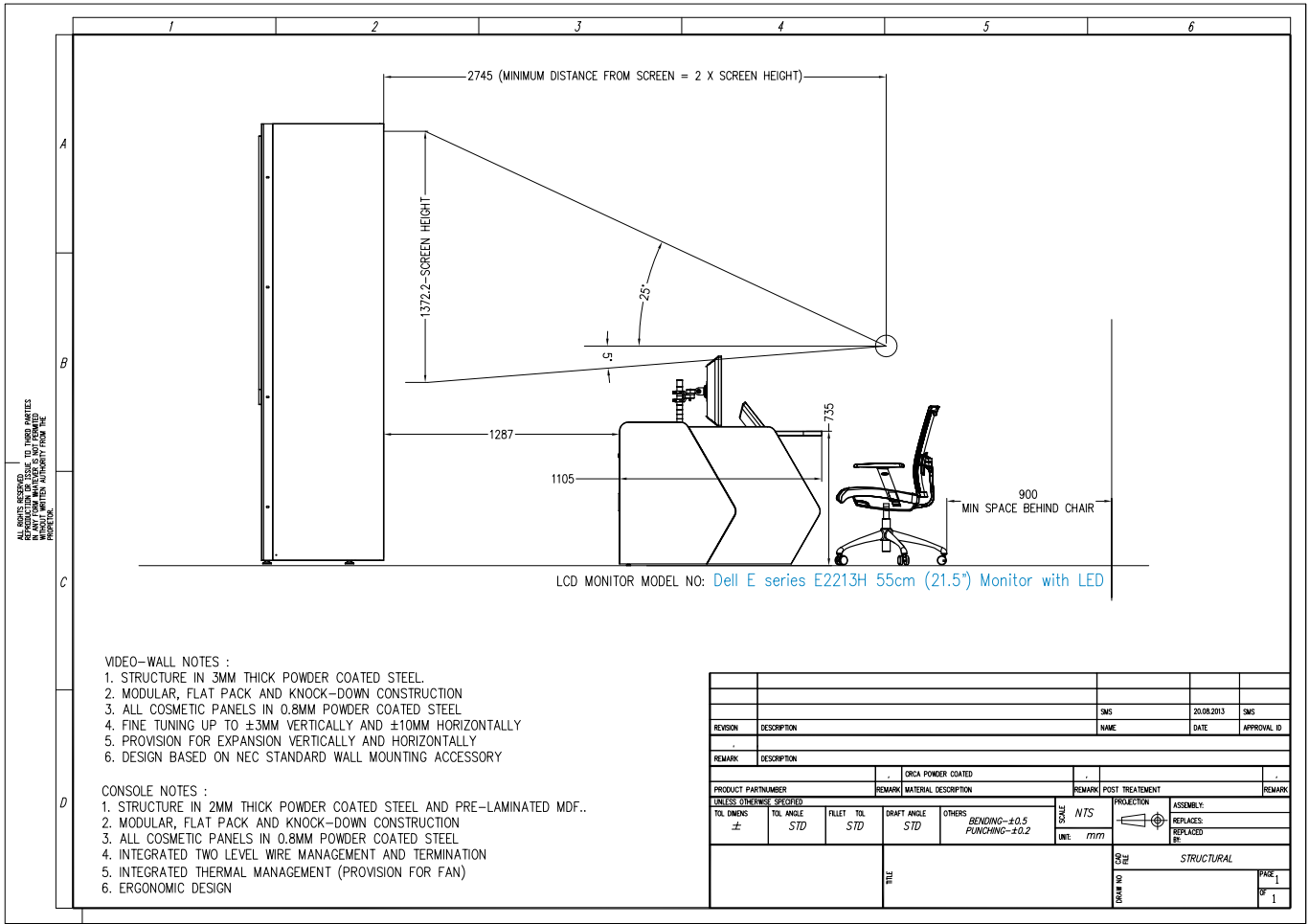


TEQZO Environments



Recessed Consoles - Modern



VIDEO-WALL NOTES :

1. STRUCTURE IN 3MM THICK POWDER COATED STEEL.
2. MODULAR, FLAT PACK AND KNOCK-DOWN CONSTRUCTION
3. ALL COSMETIC PANELS IN 0.8MM POWDER COATED STEEL
4. FINE TUNING UP TO ±3MM VERTICALLY AND ±10MM HORIZONTALLY
5. PROVISION FOR EXPANSION VERTICALLY AND HORIZONTALLY
6. DESIGN BASED ON NEC STANDARD WALL MOUNTING ACCESSORY

CONSOLE NOTES :

1. STRUCTURE IN 2MM THICK POWDER COATED STEEL AND PRE-LAMINATED MDF..
2. MODULAR, FLAT PACK AND KNOCK-DOWN CONSTRUCTION
3. ALL COSMETIC PANELS IN 0.8MM POWDER COATED STEEL
4. INTEGRATED TWO LEVEL WIRE MANAGEMENT AND TERMINATION
5. INTEGRATED THERMAL MANAGEMENT (PROVISION FOR FAN)
6. ERGONOMIC DESIGN

REVISION	DESCRIPTION	SMS	20.08.2013	SMS
		NAME	DATE	APPROVAL ID
REMARK	DESCRIPTION			
PRODUCT PARTNUMBER	ORCA POWDER COATED	REMARK	POST TREATMENT	REMARK
UNLESS OTHERWISE SPECIFIED				
TOL DIMS ±	TOL ANGLE STD	FILET TOL STD	DRAFT ANGLE STD	OTHERS BENDING-±0.5 PUNCHING-±0.2
				UNIT: mm
				STRUCTURAL
				PAGE 1 OF 1

VIDEO-WALL NOTES :

1. STRUCTURE IN 3MM THICK POWDER COATED STEEL.
2. MODULAR, FLAT PACK AND KNOCK-DOWN CONSTRUCTION
3. ALL COSMETIC PANELS IN 0.8MM POWDER COATED STEEL
4. FINE TUNING UP TO ±3MM VERTICALLY AND ±10MM HORIZONTALLY
5. PROVISION FOR EXPANSION VERTICALLY AND HORIZONTALLY
6. DESIGN BASED ON NEC STANDARD WALL MOUNTING ACCESSORY

CONSOLE NOTES :

1. STRUCTURE IN 2MM THICK POWDER COATED STEEL AND PRE-LAMINATED MDF..
2. MODULAR, FLAT PACK AND KNOCK-DOWN CONSTRUCTION
3. ALL COSMETIC PANELS IN 0.8MM POWDER COATED STEEL
4. INTEGRATED TWO LEVEL WIRE MANAGEMENT AND TERMINATION
5. INTEGRATED THERMAL MANAGEMENT (PROVISION FOR FAN)
6. ERGONOMIC DESIGN

REVISION	DESCRIPTION	SMS	20.08.2013	SMS
		NAME	DATE	APPROVAL ID
REMARK	DESCRIPTION			
PRODUCT PARTNUMBER	ORCA POWDER COATED	REMARK	POST TREATMENT	REMARK
UNLESS OTHERWISE SPECIFIED				
TOL DIMS ±	TOL ANGLE STD	FILET TOL STD	DRAFT ANGLE STD	OTHERS BENDING-±0.5 PUNCHING-±0.2
				UNIT: mm
				STRUCTURAL
				PAGE 1 OF 1

Ultra Modern



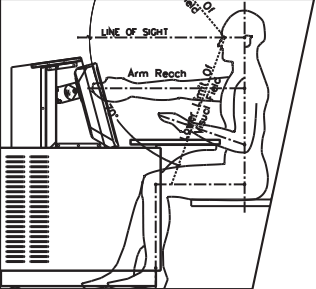
We believe that technical environments is no different from any other workspace when it comes to aesthetic appeal. Work environments need to be inspiring and should positively influence the morale and confidence of the operator in order to deliver performance. All our products are frequently updated to ensure that it matches with the changes in lifestyle and technology.

State Of Art



We are obsessed with technology and constantly strive to update our products with the best in technology, materials and processes. We adopt the latest engineering tools for designing each and every part of our solution to ensure that they are optimized of the best performance.

Human Centric



We believe that the best way to achieve operator performance is to respect human factors. Work environments should inspire the individual to uplift his morale and confidence. Our team has extensive knowledge in human factors engineering to ensure the products and solutions comply with the highest standards of ergonomics.

TEQZO Environments

Head Office :
TEQZO Retail Products Private Limited
No. 410, CMR Road, Kalyan Nagar,
Bangalore 560043. INDIA.

Tel : +91 80 4121 8823
Email : enquiry@teqzo.com
URL : environments.teqzo.com

We are a company engaging in research, design, manufacture, supply and commission of products meant for technical interiors and environments. Our focus is on environments like control rooms, control centres, shop floors and other work environments.

We are an ISO 9001:2008 company. We have achieved substantial growth by servicing clients including governmental organizations and multi national companies both in India and abroad.

Contact us for more details.